

## FEATURES AND SPECIFICATIONS

### Features and Benefits

- 50µ" Gold meets FCC 68 requirements
- Keying options available
- Top-covered leads meet British Telecom 4000V test
- Contacts are duplex plated after stamping, eliminating bare edges in the mating area
- Every jack must pass on-line functional tests, including hi-pot and continuity

### Reference Information

Product Specification: PS-41314  
 Packaging: Film pack or tray  
 UL File No.: E107635  
 CSA File No.: LR19980  
 Mates With: WE Co. and FCC 68 plugs  
 Designed In: Inches

### Electrical

Voltage: 125V  
 Current: 1.5A  
 Contact Resistance: 10mΩ max.  
 Dielectric Withstanding Voltage: 1000V AC  
 Insulation Resistance: 500 MΩ min.

### Mechanical

Durability: 500 cycles min.

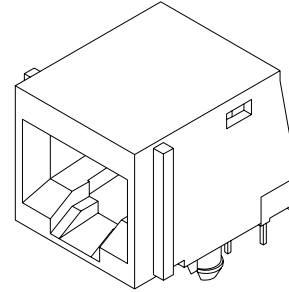
### Physical

Housing: Black glass-filled polyester, UL 94V-0  
 Contact: Phosphor Bronze  
 Plating: 1.27µm (50µ") min. Gold in contact area and  
 1.27µm (50µ") min. Tin/Lead on solder tails both  
 over Nickel overall  
 Operating Temperature: -40 to +80°C

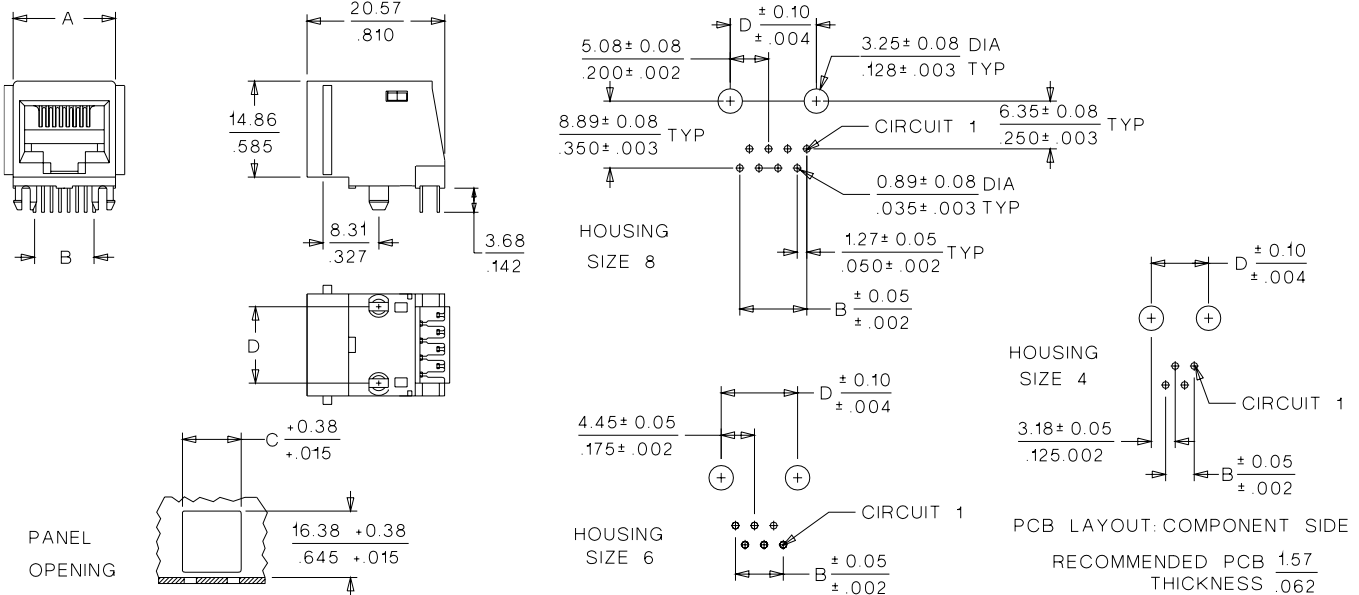
**molex®** Modular Jack

**41369/42063/42313**

**Right Angle, Standard Profile  
 Flush Mount**



## CATALOG DRAWING (FOR REFERENCE ONLY)



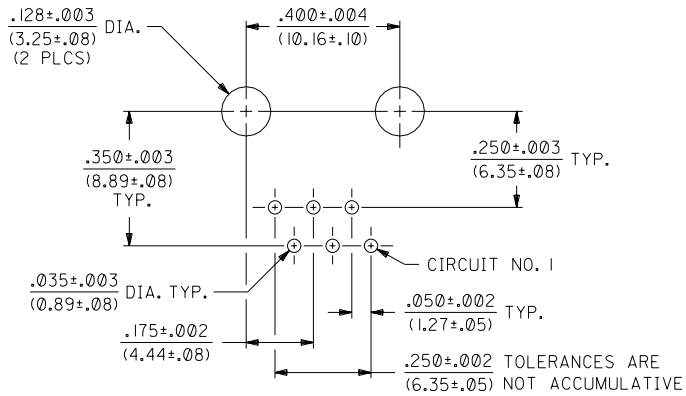
Modular Plugs and Jacks

0

## ORDERING INFORMATION AND DIMENSIONS

Circuits	Loaded Contacts	Order No.		Universal Service Order Code	Keyed	Dimension			
		Film Pack	Tray Pack			A	B	C	D
4	2	15-43-7040	• 15-43-7540		No	11.20 (.440)	1.27 (.050)	11.56 (.455)	7.62 (.300)
4	4	15-43-7044	• 15-43-7544		No	11.20 (.440)	3.81 (.150)	11.56 (.455)	7.62 (.300)
6	2	15-43-7063	• 15-43-7563	RJ11W/RJ11C	No	13.20 (.520)	1.27 (.050)	13.59 (.535)	10.16 (.400)
6	4	15-43-7064	• 15-43-7564	RJ16	No	13.20 (.520)	3.81 (.150)	13.59 (.535)	10.16 (.400)
6	6	15-43-7066	• 15-43-7566	RJ12/RJ18/RJ25	No	13.20 (.520)	6.35 (.250)	13.59 (.535)	10.16 (.400)
6 Offset Latch	6	15-43-6111	15-43-6110		Offset Latch DECconnect	13.20 (.520)	6.35 (.250)	13.59 (.535)	10.16 (.400)
8	2	15-43-7080	• 15-43-7580		No	15.20 (.600)	1.27 (.050)	15.62 (.615)	11.43 (.450)
8 Keyed	2	15-43-9010	• 15-43-9510		Yes/RJ45	15.20 (.600)	1.27 (.050)	15.62 (.615)	11.43 (.450)
8	4	15-43-7084	• 15-43-7584		No	15.20 (.600)	3.81 (.150)	15.62 (.615)	11.43 (.450)
8 Keyed	4	15-43-9007	• 15-43-9507		Yes/RJ45	15.20 (.600)	3.81 (.150)	15.62 (.615)	11.43 (.450)
8	6	15-43-7086	• 15-43-7586		No	15.20 (.600)	6.35 (.250)	15.62 (.615)	11.43 (.450)
8 Keyed	6	15-43-9004	• 15-43-9504		Yes/RJ45	15.20 (.600)	6.35 (.250)	15.62 (.615)	11.43 (.450)
8	8	15-43-7088	• 15-43-7588	RJ48	No	15.20 (.600)	8.89 (.350)	15.62 (.615)	11.43 (.450)
8 Keyed	8	15-43-9001	• 15-43-9501	RJ14/RJ45	Yes/RJ45	15.20 (.600)	8.89 (.350)	15.62 (.615)	11.43 (.450)

• US Standard Product, available through Molex franchised distributors

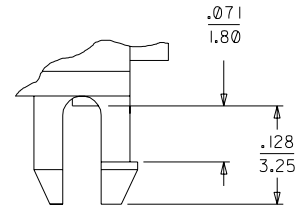
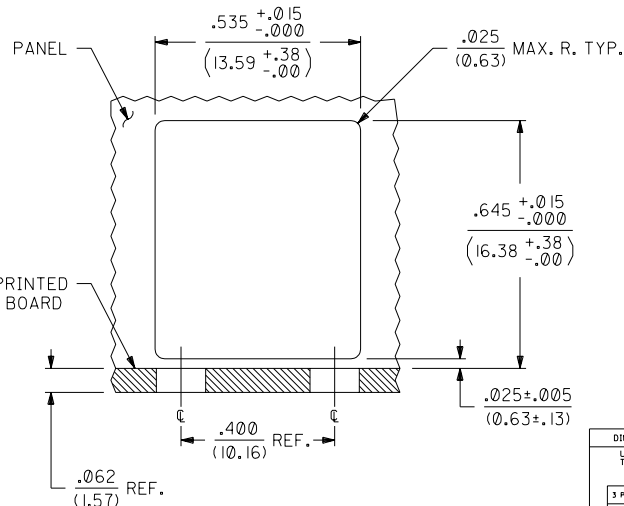
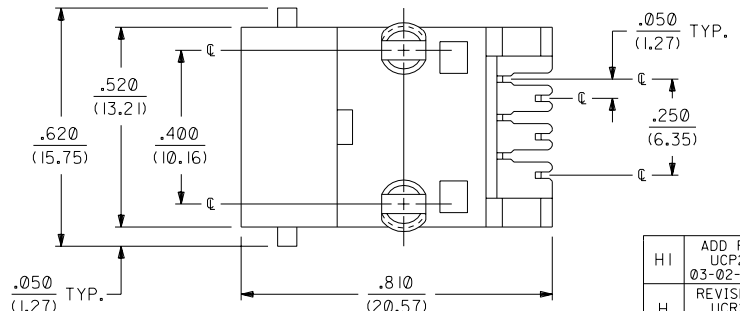
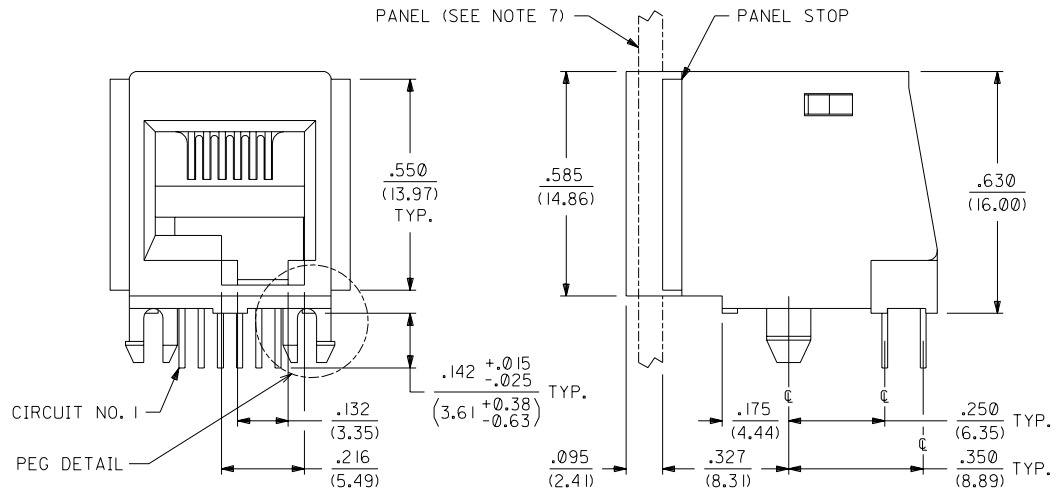


**RECOMMENDED P.C. BOARD LAYOUT**

**NOTES:**

- 1) MATERIALS: HOUSING PARTS ARE MADE OF GLASS FILLED POLYESTER, RATED 94V-0, COLOR IS BLACK; TERMINALS ARE MADE OF PHOSPHOR BRONZE.
- 2) JACKS ARE TO BE USED WITH .062/(1.57) THICK PRINTED CIRCUIT BOARDS.
- 3) JACKS CONFORM TO AND ACCEPT PLUGS WHICH CONFORM TO FCC REGULATIONS, PART 68.5.
- 4) TERMINAL PLATING PER SDES-88:  
(595) .000050/(.00127) MIN. GOLD IN CONTACT AREA, .000050/(.00127) MIN. TIN-LEAD ON P.C. TAILS, AND .000050/(.00127) MIN. NICKEL UNDERPLATE OVERALL.
- 5) JACKS MUST MEET THE REQUIREMENTS OF MOLEX SPECIFICATION \*PS-41314.
- 6) ALL UNTOLERANCED DIMENSIONS ARE SHOWN FOR REFERENCE ONLY.
- 7) PANEL TO BE LOCATED AGAINST MODULAR JACK PANEL STOPS AS INDICATED.
- 8) FILM PACK: FOR PARTS PACKAGED IN POLYESTER FILM, SEE PACKAGING SPECIFICATIONS ON DRAWING \*PK-40873-0006.
- 9) TUBE PACK: FOR PARTS PACKAGED IN TUBES, SEE PACKAGING SPECIFICATIONS ON DRAWING \*PK-41369-005.
- 10) TRAY PACK: FOR PARTS PACKAGED IN TRAYS, SEE PACKAGING SPECIFICATIONS ON DRAWING \*PK-41369-004.

A-42313-66AA	015-43-6111	6	6	(595)	FILM
A-42313-66AC	015-43-6112	6	6	(595)	TUBE
A-42313-66AB	015-43-6110	6	6	(595)	TRAY
ENGINEERING NUMBER	PART NUMBER	HOUSING SIZE	CIRCUIT SIZE	TERMINAL PLATING	PACKAGING OPTION



**RECOMMENDED PANEL LAYOUT**  
PANEL CUT-OUT TO BE SYMMETRICAL ABOUT HOLE CENTERS WITHIN .005/(.13)

HI	ADD PEG DETAIL UCP2003-1749 03-02-19.CSTEWART
H	REVISED PER ECN UCR2002-0116 01-08-06 MRK
G	REVISED PER ECN UCR2001-0943 01-04-24 MRK
F	REVISED PER UCR2001-0156 00-8-18 JBS
E	REV. PACK UCR2000-0216 99-9-20 DDS
D	DEL GAGE ECR# UCR1998-0047 98-02-21 SAMIEC
C	REVISED PER ECN #U6-0783 24JAN1996 L.E.Lenz
B	REVISED PER ECN #U1-0211 01/15/91 GLT
A	FINAL RELEASE PER ERO #30700 12/07/90 GLT
2	REVISED PER ERO #29467 02/05/90 GLT
1	X-RELEASE PER ERO #26443 05/02/88 GLT

MFG. SH. REV. LTR. REVISIONS

DRWG. NO. SDA-42313-\*\*\*

RIGHT ANGLE, FLUSH MOUNT, MODULAR JACK ASS'Y., SIZE 6 LOADED 6 WITH OFFSET LATCH

MOLEX INCORPORATED SHEET NO. DATE U.S.A. 1 OF 1 05/02/88

SEE CHART

DRWG. BY: GLT  
CHK'D. BY: BAP  
APP'D. BY: RAS  
SCALE: 4:1

DIMENSIONS SHOWN (METRIC) INCH UNLESS OTHERWISE SPECIFIED TOLERANCES ANGULAR ± 1/2°

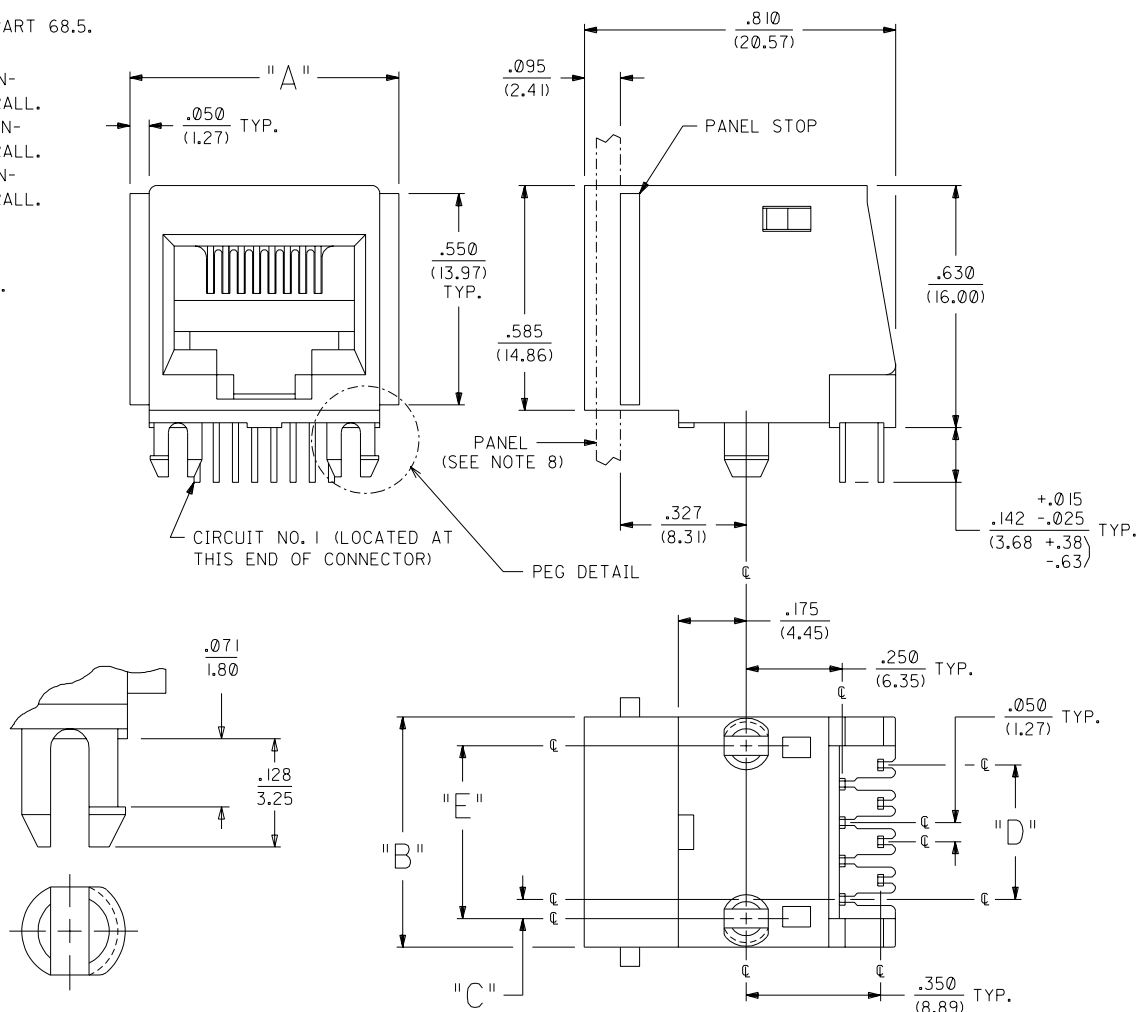
3 PLACE ±  
2 PLACE ±  
1 PLACE ±

DRAFT WHERE APPLICABLE MUST REMAIN WITHIN DIMENSIONS

THIS DRAWING CONTAINS INFORMATION THAT IS PROPRIETARY TO MOLEX INC. AND SHOULD NOT BE USED WITHOUT WRITTEN PERMISSION

NOTES:

- 1) MATERIALS: HOUSING PARTS ARE MADE OF GLASS FILLED POLYESTER, RATED 94 V-0, COLOR IS BLACK; TERMINALS ARE MADE OF PHOSPHOR BRONZE.
- 2) JACKS ARE TO BE USED WITH .062/(1.57) THICK PRINTED CIRCUIT BOARDS.
- 3) JACKS CONFORM TO AND ACCEPT PLUGS WHICH CONFORM TO FCC REGULATIONS, PART 68.5.
- 4) TERMINAL PLATING OPTIONS PER SDES-88 :
  - (595) .000050/(.00127) MIN. GOLD IN CONTACT AREAS, .000050/(.00127) MIN. TIN-LEAD ON P.C. TAILS, WITH .000050/(.00127) MIN. NICKEL UNDERPLATE OVERALL.
  - (594) .000030/(.00076) MIN. GOLD IN CONTACT AREAS, .000050/(.00127) MIN. TIN-LEAD ON P.C. TAILS, WITH .000050/(.00127) MIN. NICKEL UNDERPLATE OVERALL.
  - (542) .000015/(.00038) MIN. GOLD IN CONTACT AREAS, .000050/(.00127) MIN. TIN-LEAD ON P.C. TAILS, WITH .000050/(.00127) MIN. NICKEL UNDERPLATE OVERALL.
- 5) ALL JACKS MUST MEET THE REQUIREMENTS OF MOLEX SPECIFICATION \*PS-41314.
- 6) ALL UNTOLERANCED DIMENSIONS ARE SHOWN FOR REFERENCE ONLY.
- 7) SEE SHEET 3 FOR RECOMMENDED PANEL CUT-OUT AND BOARD LAYOUT DIMENSIONS.
- 8) PANEL TO BE LOCATED AGAINST MODULAR JACK PANEL STOPS AS INDICATED.
- 9) PACKAGING OPTIONS: TRAYS, TUBES, OR FILM/AMMO PACK.



PEG DETAIL  
SCALE: 8:1

8	2	.700 (17.78)	.600 (15.24)	.200 (5.08)	.050 (1.27)	.450 (11.43)
8	4	.700 (17.78)	.600 (15.24)	.150 (3.81)	.150 (3.81)	.450 (11.43)
8	6	.700 (17.78)	.600 (15.24)	.100 (2.54)	.250 (6.35)	.450 (11.43)
8	8	.700 (17.78)	.600 (15.24)	.050 (1.27)	.350 (8.89)	.450 (11.43)
6	2	.620 (15.75)	.520 (13.21)	.175 (4.45)	.050 (1.27)	.400 (10.16)
6	4	.620 (15.75)	.520 (13.21)	.125 (3.18)	.150 (3.81)	.400 (10.16)
6	6	.620 (15.75)	.520 (13.21)	.075 (1.91)	.250 (6.35)	.400 (10.16)
4	2	.540 (13.72)	.440 (11.18)	.125 (3.18)	.050 (1.27)	.300 (7.62)
4	4	.540 (13.72)	.440 (11.18)	.075 (1.91)	.150 (3.81)	.300 (7.62)

HOUSING SIZE	CIRCUIT SIZE	DIM. "A"	DIM. "B"	DIM. "C"	DIM. "D"	DIM. "E"
--------------	--------------	----------	----------	----------	----------	----------

SIZE 8 MODULAR JACK HOUSING LOADED WITH 8 TERMINALS IS SHOWN ABOVE

REVISED PER ECN UCR2000-0878 MRK 00/08/07			DIMENSIONS SHOWN (METRIC) INCH UNLESS OTHERWISE SPECIFIED TOLERANCES: ANGULAR ± 1/2°		▽ = 0 ▼ = 0 REVISE ONLY ON CAD SYSTEM	
ADD PEG DETAIL UCP 2003-1749 03/02/18, STEWART			3 PLACE ± INCH METRIC		TITLE RIGHT ANGLE FLUSH MOUNT MODULAR JACK ASSEMBLY	
REVISED PER ECN UCR 2001-0943 01/04/12 MRK			DRAFT WHERE APPLICABLE MUST REMAIN WITHIN DIMENSIONS		MOLEX INCORPORATED SHEET NO. DATE U.S.A. 1 OF 3 05/09/90	
NUMBER CHANGE UCR2000-0341 DSTAMB 11/10/99			DRWG. BY: GLT CHK'D BY: BAP		PART NO. DRWG. NO. SEE SHEET 2 SDA-41369-*****	
NUMBER CHANGE UCR2000-0131 DSTAMB 08/18/99			APPR'D BY: RAS SCALE: 4:1		THIS DRAWING CONTAINS INFORMATION THAT IS PROPRIETARY TO MOLEX INC. AND SHOULD NOT BE USED WITHOUT WRITTEN PERMISSION.	
LTR.	REVISIONS	LTR.	REVISIONS	LTR.	REVISIONS	SIZE CP C

3	T
2	U
1	UI

MFG.	SH.	REV.
------	-----	------

	13	12	11	10	9	8	7	6	41369	4	3	2	1		
	ENGINEERING PART NUMBER	E.D.P. NUMBER	HOUSING SIZE	CIRCUIT SIZE	PLATING OPTION	PACKAGING OPTION									
J	A-41369-44AAAA	015-43-7044	4	4	(595)	AMMO PACK									J
	A-41369-44ABAA	015-43-7544	4	4	(595)	TRAY PACK									
	A-41369-44CBAA	015-43-7541	4	4	(542)	TRAY PACK									
	A-41369-42AAAA	015-43-7040	4	2	(595)	AMMO PACK									
	A-41369-42ABAA	015-43-7540	4	2	(595)	TRAY PACK									
	A-41369-66AAAA	015-43-7066	6	6	(595)	AMMO PACK									
	A-41369-66ABAA	015-43-7566	6	6	(595)	TRAY PACK									
I	A-41369-66BBAA	015-43-7567	6	6	(594)	TRAY PACK									I
	A-41369-64AAAA	015-43-7064	6	4	(595)	AMMO PACK									
	A-41369-64ABAA	015-43-7564	6	4	(595)	TRAY PACK									
	A-41369-64BBAA	015-43-7565	6	4	(594)	TRAY PACK									
	A-41369-62AAAA	015-43-7063	6	2	(595)	AMMO PACK									
	A-41369-62ABAA	015-43-7563	6	2	(595)	TRAY PACK									
	A-41369-88AAAA	015-43-7088	8	8	(595)	AMMO PACK									
H	A-41369-88CAAA	015-43-7083	8	8	(542)	AMMO PACK									H
	A-41369-88ABAA	015-43-7588	8	8	(595)	TRAY PACK									
	A-41369-86AAAA	015-43-7086	8	6	(595)	AMMO PACK									
	A-41369-86ABAA	015-43-7586	8	6	(595)	TRAY PACK									
	A-41369-84AAAA	015-43-7084	8	4	(595)	AMMO PACK									
	A-41369-84ABAA	015-43-7584	8	4	(595)	TRAY PACK									
	A-41369-82ABAA	015-43-7580	8	2	(595)	TRAY PACK									
G	A-41369-44ACAA	015-43-7546	4	4	(595)	TUBES									G
	A-41369-64ACAA	015-43-7570	6	4	(595)	TUBES									
	A-41369-62ACAA	015-43-7571	6	2	(595)	TUBES									
F														F	
E														E	
D														D	
C														C	
B														B	
A														A	

41369

		T	SEE SHEET I	DIMENSIONS SHOWN (METRIC) INCH UNLESS OTHERWISE SPECIFIED TOLERANCES: ANGULAR ± 1/2°		▽ = 0	▼ = 0	REVISE ONLY ON CAD SYSTEM													
		S	SEE SHEET I	<table border="1"> <tr> <td>3 PLACE</td> <td>±</td> <td>INCH</td> <td>METRIC</td> </tr> <tr> <td>2 PLACE</td> <td>±</td> <td></td> <td></td> </tr> <tr> <td>1 PLACE</td> <td>±</td> <td></td> <td></td> </tr> </table>		3 PLACE	±	INCH	METRIC	2 PLACE	±			1 PLACE	±			<b>RIGHT ANGLE FLUSH MOUNT MODULAR JACK ASSEMBLY</b>			
3 PLACE	±	INCH	METRIC																		
2 PLACE	±																				
1 PLACE	±																				
		R	SEE SHEET I	DRAFT WHERE APPLICABLE MUST REMAIN WITHIN DIMENSIONS		<b>MOLEX INCORPORATED</b> LITTLE ROCK, AR 72653 U.S.A.															
U	SEE SHEET I			DRWG. BY: GLT    CHK'D. BY: BAP APP'D. BY: RAS    SCALE:    :		SHEET NO. 2    DATE 05/09/90 PART NO. SEE CHART    DRWG. NO. SDA-41369-*****															
LTR.	REVISIONS	LTR.	REVISIONS	FILE NAME: SDA4136982.DGN THIS DRAWING CONTAINS INFORMATION THAT IS PROPRIETARY TO MOLEX INC. AND SHOULD NOT BE USED WITHOUT WRITTEN PERMISSION.		DIV.    STYLE CP    C															

13 12 11 10 9 8 7 6 5 4 3 2 1



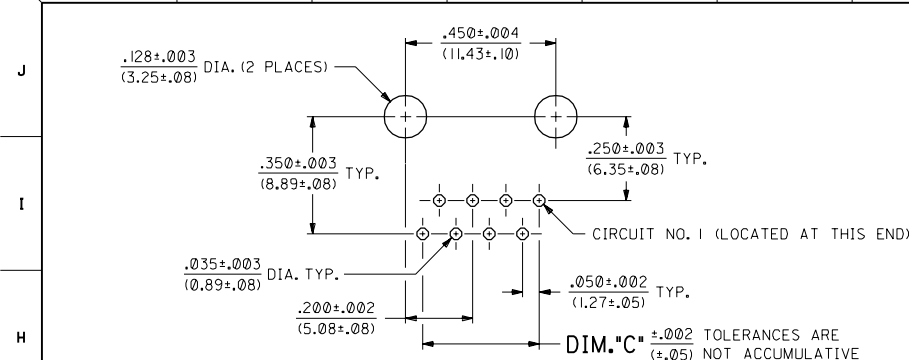
	ENGINEERING PART NUMBER	E.D.P. NUMBER	HOUSING SIZE	CIRCUIT SIZE	PLATING OPTION	PACKAGING OPTION
J	A-41369-44AAAA	015-43-7044	4	4	(595)	AMMO PACK
	A-41369-44BAAA	015-43-7045	4	4	(594)	AMMO PACK
	A-41369-44CAAA	015-43-7041	4	4	(542)	AMMO PACK
	A-41369-44ABAA	015-43-7544	4	4	(595)	TRAY PACK
	A-41369-44BBAA	015-43-7545	4	4	(594)	TRAY PACK
	A-41369-44CBAA	015-43-7541	4	4	(542)	TRAY PACK
	A-41369-42AAAA	015-43-7040	4	2	(595)	AMMO PACK
I	A-41369-42BAAA	015-43-7042	4	2	(594)	AMMO PACK
	A-41369-42CAAA	015-43-7043	4	2	(542)	AMMO PACK
	A-41369-42ABAA	015-43-7540	4	2	(595)	TRAY PACK
	A-41369-42BBAA	015-43-7542	4	2	(594)	TRAY PACK
	A-41369-42CBAA	015-43-7543	4	2	(542)	TRAY PACK
	A-41369-66AAAA	015-43-7066	6	6	(595)	AMMO PACK
	A-41369-66BAAA	015-43-7067	6	6	(594)	AMMO PACK
H	A-41369-66CAAA	015-43-7062	6	6	(542)	AMMO PACK
	A-41369-66ABAA	015-43-7566	6	6	(595)	TRAY PACK
	A-41369-66BBAA	015-43-7567	6	6	(594)	TRAY PACK
	A-41369-66CBAA	015-43-7562	6	6	(542)	TRAY PACK
	A-41369-64AAAA	015-43-7064	6	4	(595)	AMMO PACK
	A-41369-64BAAA	015-43-7065	6	4	(594)	AMMO PACK
	A-41369-64CAAA	015-43-7061	6	4	(542)	AMMO PACK
G	A-41369-64ABAA	015-43-7564	6	4	(595)	TRAY PACK
	A-41369-64BBAA	015-43-7565	6	4	(594)	TRAY PACK
	A-41369-64CBAA	015-43-7561	6	4	(542)	TRAY PACK
	A-41369-62AAAA	015-43-7063	6	2	(595)	AMMO PACK
	A-41369-62BAAA	015-43-7068	6	2	(594)	AMMO PACK
	A-41369-62CAAA	015-43-7069	6	2	(542)	AMMO PACK
F	A-41369-62ABAA	015-43-7563	6	2	(595)	TRAY PACK
	A-41369-62BBAA	015-43-7568	6	2	(594)	TRAY PACK
	A-41369-62CBAA	015-43-7569	6	2	(542)	TRAY PACK
	A-41369-88AAAA	015-43-7088	8	8	(595)	AMMO PACK
	A-41369-88BAAA	015-43-7089	8	8	(594)	AMMO PACK
	A-41369-88CAAA	015-43-7083	8	8	(542)	AMMO PACK
	A-41369-88ABAA	015-43-7588	8	8	(595)	TRAY PACK
E	A-41369-88BBAA	015-43-7589	8	8	(594)	TRAY PACK
	A-41369-88CBAA	015-43-7583	8	8	(542)	TRAY PACK
	A-41369-86AAAA	015-43-7086	8	6	(595)	AMMO PACK
	A-41369-86BAAA	015-43-7087	8	6	(594)	AMMO PACK
	A-41369-86CAAA	015-43-7082	8	6	(542)	AMMO PACK
	A-41369-86ABAA	015-43-7586	8	6	(595)	TRAY PACK
	A-41369-86BBAA	015-43-7587	8	6	(594)	TRAY PACK
D	A-41369-86CBAA	015-43-7582	8	6	(542)	TRAY PACK
	A-41369-84AAAA	015-43-7084	8	4	(595)	AMMO PACK
	A-41369-84BAAA	015-43-7085	8	4	(594)	AMMO PACK
	A-41369-84CAAA	015-43-7081	8	4	(542)	AMMO PACK
	A-41369-84ABAA	015-43-7584	8	4	(595)	TRAY PACK
	A-41369-84BBAA	015-43-7585	8	4	(594)	TRAY PACK
	A-41369-84CBAA	015-43-7581	8	4	(542)	TRAY PACK
C	A-41369-82AAAA	015-43-7080	8	2	(595)	AMMO PACK
	A-41369-82BAAA	015-43-7090	8	2	(594)	AMMO PACK
	A-41369-82CAAA	015-43-7091	8	2	(542)	AMMO PACK
	A-41369-82ABAA	015-43-7580	8	2	(595)	TRAY PACK
	A-41369-82BBAA	015-43-7590	8	2	(594)	TRAY PACK
	A-41369-82CBAA	015-43-7591	8	2	(542)	TRAY PACK
B	A-41369-44ACAA	015-43-7546	4	4	(595)	TUBES
	A-41369-64ACAA	015-43-7570	6	4	(595)	TUBES
	A-41369-62ACAA	015-43-7571	6	2	(595)	TUBES

SEE SHEET I FOR PART DESCRIPTIONS

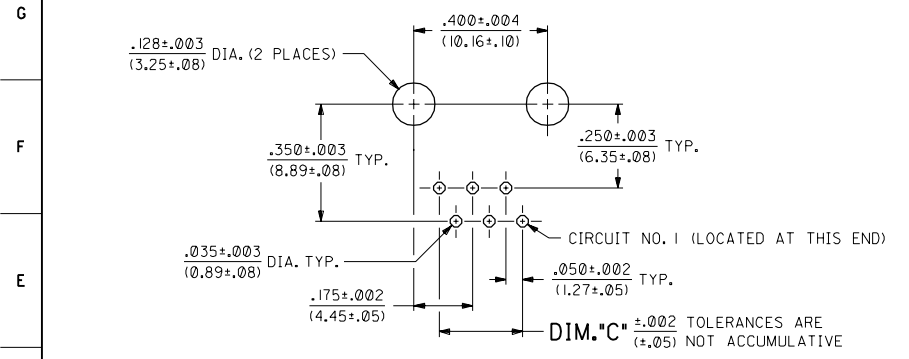
T	SEE SHEET I	PI	SEE SHEET I
S	SEE SHEET I	P	SEE SHEET I
R	SEE SHEET I	M	SEE SHEET I
LTR.	REVISIONS	LTR.	REVISIONS

DIMENSIONS SHOWN METRIC (INCH UNLESS OTHERWISE SPECIFIED TOLERANCES: ANGULAR 1/16°)		▽ = 0 ▼ = 0		REVISE ONLY ON CAD SYSTEM
		TITLE <b>RIGHT ANGLE FLUSH MOUNT MODULAR JACK ASSEMBLY</b>		
DRAFT WHERE APPLICABLE MUST REMAIN WITHIN DIMENSIONS DRW: GLT APP'D: RAS		MOLEX INCORPORATED L15LEJLL 60532 U.S.A. SHEET NO. 2 DATE 05/09/90 PART NO. SEE CHART DRWG. NO. SDA-41369-***** FILE NAME SDA15LEJLL.DWG. THIS DRAWING CONTAINS INFORMATION THAT IS PROPRIETARY TO MOLEX INC. AND SHOULD NOT BE USED WITHOUT WRITTEN PERMISSION.		
CP	C	CP	C	C

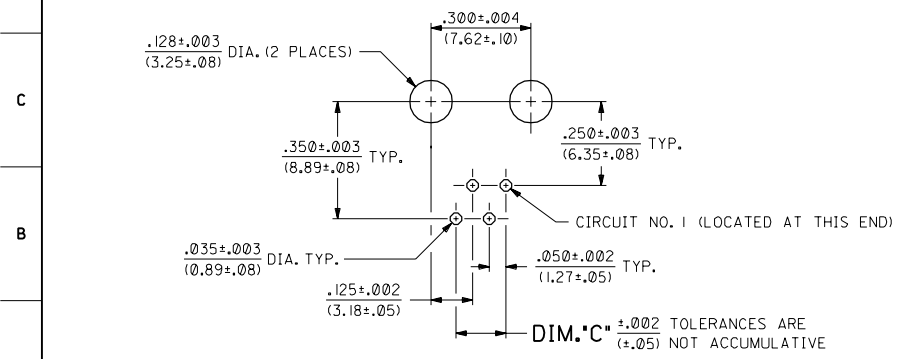
13 12 11 10 9 8 7 6 41369 4 3 2 1



PC BOARD LAYOUT FOR HOUSING SIZE 8



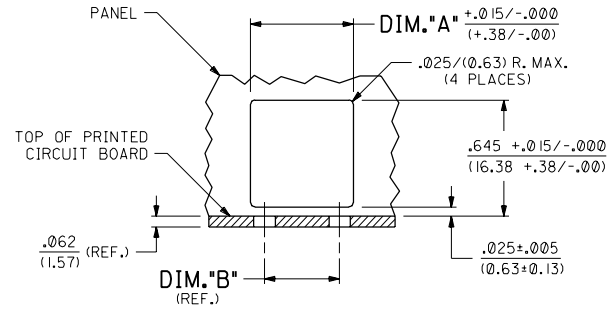
PC BOARD LAYOUT FOR HOUSING SIZE 6



PC BOARD LAYOUT FOR HOUSING SIZE 4

ENGINEERING PART NUMBER	HOUSING SIZE	CIRCUIT SIZE	DIM. "A"	DIM. "B"	DIM. "C"
A-41369-44****	4	4	.455/(11.56)	.300/(7.62)	.150/(3.81)
A-41369-42****	4	2	.455/(11.56)	.300/(7.62)	.050/(1.27)
A-41369-66****	6	6	.535/(13.59)	.400/(10.16)	.250/(6.35)
A-41369-64****	6	4	.535/(13.59)	.400/(10.16)	.150/(3.81)
A-41369-62****	6	2	.535/(13.59)	.400/(10.16)	.050/(1.27)
A-41369-88****	8	8	.615/(15.62)	.450/(11.43)	.350/(8.89)
A-41369-86****	8	6	.615/(15.62)	.450/(11.43)	.250/(6.35)
A-41369-84****	8	4	.615/(15.62)	.450/(11.43)	.150/(3.81)
A-41369-82****	8	2	.615/(15.62)	.450/(11.43)	.050/(1.27)

NOTE: ALL RECOMMENDED BOARD LAYOUTS ARE SHOWN AS COMPONENT SIDE OF BOARD

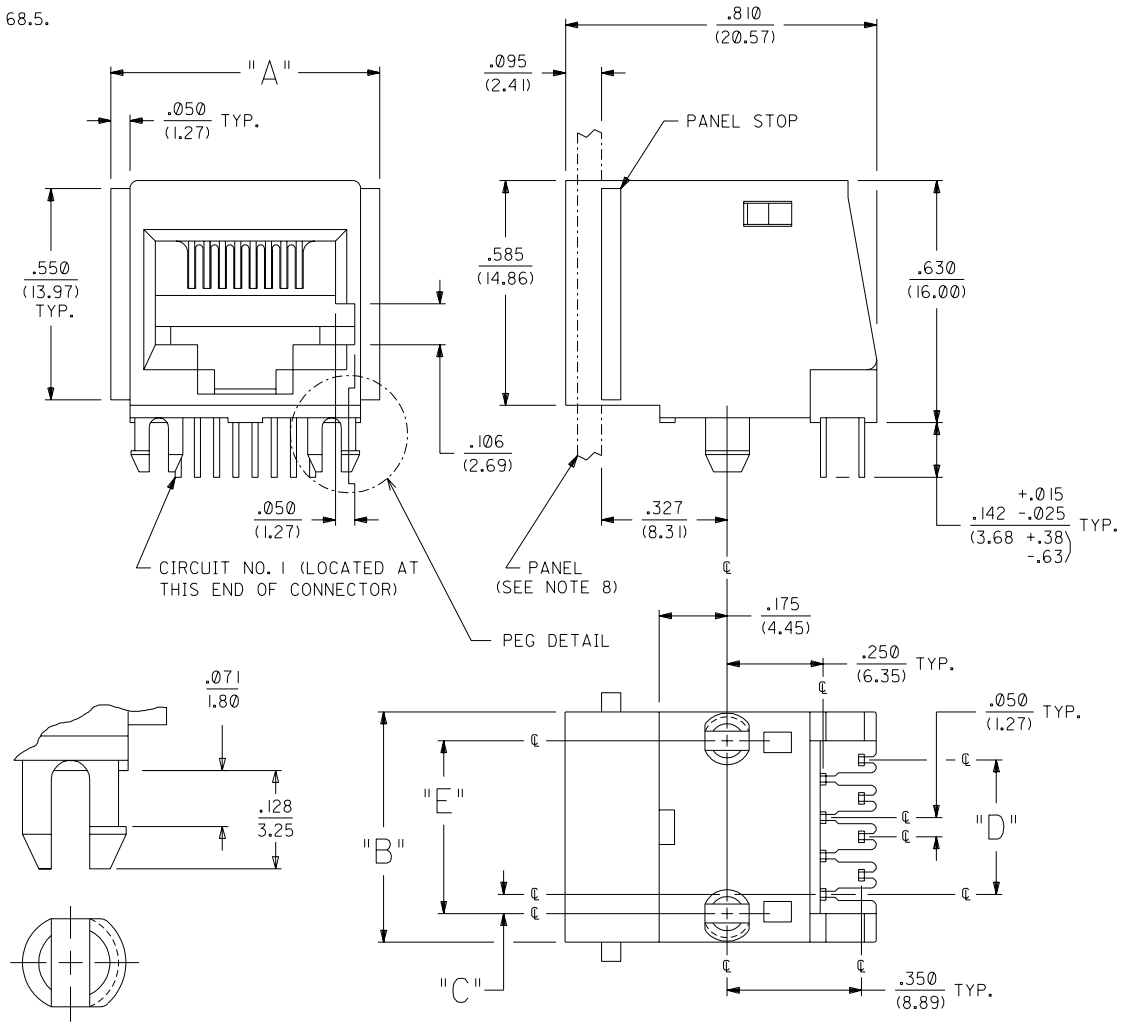


PANEL CUT-OUT GUIDELINES  
DIM. 'A' MUST BE SYMMETRICAL TO DIM. 'B' WITHIN .005/(0.13)

LTR.		REVISIONS		LTR.		REVISIONS		MFG. SH. REV.	
P	SEE SHEET 1	N	SEE SHEET 1	M	SEE SHEET 1	DIMENSIONS SHOWN (METRIC) INCH UNLESS OTHERWISE SPECIFIED TOLERANCES: ANGULAR ± 1/2° INCH METRIC 3 PLACE ± 2 PLACE ± 1 PLACE ± DRAFT WHERE APPLICABLE MUST REMAIN WITHIN DIMENSIONS DRWG. BY: GLT CHK'D. BY: BAP APP'D. BY: RAS SCALE: 4:1 MFG. INC. AND SHOULD NOT BE USED WITHOUT WRITTEN PERMISSION.			
T	SEE SHEET 1					TITLE: PANEL/BOARD LAYOUTS FOR RIGHT ANGLE FLUSH MOUNT MODULAR JACK ASSEMBLIES PART NO.: SEE SHEET 2 SHEET NO.: 3 DATE: 05/09/90 DRWG. NO.: SDA-41369-***** DIV.: CP			

13 12 11 10 9 8 7 6 5 4 3 2 1

- NOTES:
- 1) MATERIALS: HOUSING PARTS ARE MADE OF GLASS FILLED POLYESTER, RATED 94 V-0, COLOR IS BLACK; TERMINALS ARE MADE OF PHOSPHOR BRONZE.
  - 2) JACKS ARE TO BE USED WITH .062/(1.57) THICK PRINTED CIRCUIT BOARDS.
  - 3) JACKS CONFORM TO AND ACCEPT PLUGS WHICH CONFORM TO FCC REGULATIONS, PART 68.5.
  - 4) TERMINAL PLATING PER SDES-88 :  
(595) .000050/(.00127) MIN. GOLD IN CONTACT AREAS, .000050/(.00127) MIN. TIN-LEAD ON P.C. TAILS, WITH .000050/(.00127) MIN. NICKEL UNDERPLATE OVERALL.
  - 5) ALL JACKS MUST MEET THE REQUIREMENTS OF MOLEX SPECIFICATION \*PS-41314.
  - 6) ALL UNTOLERANCED DIMENSIONS ARE SHOWN FOR REFERENCE ONLY.
  - 7) SEE SHEET 3 FOR RECOMMENDED PANEL CUT-OUT AND BOARD LAYOUT DIMENSIONS.
  - 8) PANEL TO BE LOCATED AGAINST MODULAR JACK PANEL STOPS AS INDICATED.
  - 9) PACKAGING OPTIONS: TRAYS OR FILM/AMMO PACK.
  - 10) HOUSING SIZES 4 AND 6 ARE NOT AVAILABLE WITH KEYING OPTION.



PEG DETAIL  
SCALE: 8:1

SIZE 8 MODULAR JACK HOUSING LOADED WITH 8 TERMINALS IS SHOWN ABOVE

8	2	.700 (17.78)	.600 (15.24)	.200 (5.08)	.050 (1.27)	.450 (11.43)
8	4	.700 (17.78)	.600 (15.24)	.150 (3.81)	.150 (3.81)	.450 (11.43)
8	6	.700 (17.78)	.600 (15.24)	.100 (2.54)	.250 (6.35)	.450 (11.43)
8	8	.700 (17.78)	.600 (15.24)	.050 (1.27)	.350 (8.89)	.450 (11.43)

HOUSING SIZE	CIRCUIT SIZE	DIM. "A"	DIM. "B"	DIM. "C"	DIM. "D"	DIM. "E"
--------------	--------------	----------	----------	----------	----------	----------

LTR.	REVISIONS	LTR.	REVISIONS	LTR.	REVISIONS

3 PLACE	±	INCH	METRIC
2 PLACE	±		
1 PLACE	±		

DIMENSIONS SHOWN (METRIC) INCH  
 UNLESS OTHERWISE SPECIFIED  
 TOLERANCES: ANGULAR ± 1/2°

TITLE: RIGHT ANGLE FLUSH MOUNT KEYED MODULAR JACK ASSEMBLY

MOLEX INCORPORATED  
 LITSE, ILL. 60532 U.S.A.

SHEET NO. 1 OF 3  
 DATE 05/21/90

FILE NAME: SDA4206301.DGN  
 THIS DRAWING CONTAINS INFORMATION THAT IS PROPRIETARY TO MOLEX INC. AND SHOULD NOT BE USED WITHOUT WRITTEN PERMISSION.

3	M
2	N
1	NI

LTR.	REVISIONS



	13	12	11	10	9	8	7	6	42063	4	3	2	1	
	ENGINEERING PART NUMBER	E.D.P. NUMBER	HOUSING SIZE	CIRCUIT SIZE	PLATING	PACKAGING OPTION								
J	A-42063-88AAAA	015-43-9001	8	8	(595)	AMMO PACK								J
	A-42063-88ABAA	015-43-9501	8	8	(595)	TRAY PACK								
	A-42063-86AAAA	015-43-9004	8	6	(595)	AMMO PACK								
	A-42063-86ABAA	015-43-9504	8	6	(595)	TRAY PACK								
	A-42063-84AAAA	015-43-9007	8	4	(595)	AMMO PACK								
	A-42063-84ABAA	015-43-9507	8	4	(595)	TRAY PACK								
I	A-42063-82AAAA	015-43-9010	8	2	(595)	AMMO PACK								I
	A-42063-82ABAA	015-43-9510	8	2	(595)	TRAY PACK								
	<u>SEE SHEET I FOR PART DESCRIPTIONS</u>													
H														H
G														G
F														F
E														E
D														D
C														C
B														B
A														A
	13	12	11	10	9	8	7	6	5	4	3	2	1	

42063

					M	SEE SHEET I	DIMENSIONS SHOWN (METRIC) INCH		▽ = 0	▽ = 0	REVISE ONLY ON CAD SYSTEM																								
					K	SEE SHEET I	UNLESS OTHERWISE SPECIFIED TOLERANCES: ANGULAR ± 1/2°		TITLE RIGHT ANGLE FLUSH MOUNT KEYED MODULAR JACK ASSEMBLY																										
							<table border="1"> <tr> <td>3 PLACE</td> <td>±</td> <td></td> <td></td> <td></td> <td></td> <td></td> <td></td> </tr> <tr> <td>2 PLACE</td> <td>±</td> <td></td> <td></td> <td></td> <td></td> <td></td> <td></td> </tr> <tr> <td>1 PLACE</td> <td>±</td> <td></td> <td></td> <td></td> <td></td> <td></td> <td></td> </tr> </table>		3 PLACE	±							2 PLACE	±							1 PLACE	±							PART NO. MOLEX INCORPORATED LITTLE,ILL. 60532 U.S.A. SHEET NO. 2 DATE 05/21/90		
3 PLACE	±																																		
2 PLACE	±																																		
1 PLACE	±																																		
		N	SEE SHEET I	H	SEE SHEET I	DRAFT WHERE APPLICABLE MUST REMAIN WITHIN DIMENSIONS		SEE CHART SDA-42063-*****																											
	LTR.	REVISIONS	LTR.	REVISIONS	LTR.	REVISIONS	DRWG. BY: GLT	CHK'D. BY: BAP	FILE NAME: SDA42063.DWG	THIS DRAWING CONTAINS INFORMATION THAT IS PROPRIETARY TO MOLEX INC. AND SHOULD NOT BE USED WITHOUT WRITTEN PERMISSION.																									
							APP'D. BY: RAS	SCALE: :	DIV. CP		SITE C																								

